

33 505 809

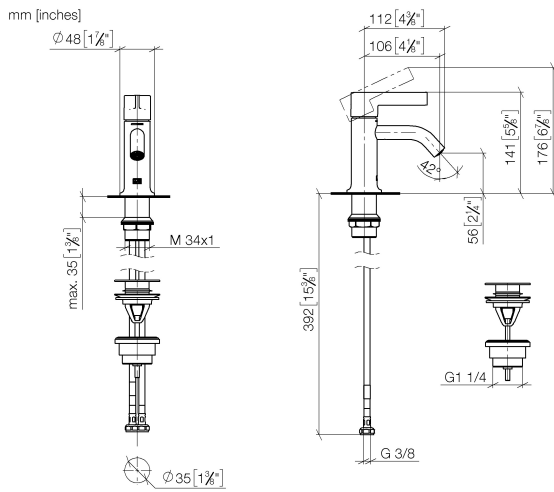


- 106mm projection
- fixed spout
- circular, air-enriched flow
- height of mixer 141 mm
- height up to aerator 56 mm
- hole diameter 35 mm
- 2x screw-in M 8 x 1 pressure hose, leak-tested
- max. flow 5.7 l/min
- lead-free
- This product can help a building meet the requirements of Green Building Rating Systems, e.g. LEED®, BREEAM®, DGNB

Only suitable for basins with an overflow.

| | | |
|---|--------------------------------|---------------|
|  | Chrome | 33 505 809-00 |
|  | Brushed Platinum | 33 505 809-06 |
|  | Platinum | 33 505 809-08 |
|  | Dark Chrome | 33 505 809-19 |
|  | Brushed Durabronze (23kt Gold) | 33 505 809-28 |
|  | Brushed Bronze | 33 505 809-42 |
|  | Brushed Champagne (22kt Gold) | 33 505 809-46 |
|  | Champagne (22kt Gold) | 33 505 809-47 |
|  | Brushed Dark Platinum | 33 505 809-99 |

33 505 809



Flow rate chart



Certificates

LGA_38420.

WRAS_240102018.



VAIA Single-lever basin mixer with pop-up waste - Chrome

VAIA

33 505 809

Spare parts list

| No. | Item Number | Name | Quantity used | Delivery time |
|-----|--------------------|---|---------------|---------------|
| 1 | 90 31 20 087 00-00 | plug | 1 | 10 |
| 2 | 90 31 11 063 00 90 | pin | 1 | 2 |
| 3 | 09 20 80 020-00 | handle | 1 | 10 |
| 4 | 09 28 30 021-00 | cover | 1 | 10 |
| 5 | 09 24 04 266 90 | nut | 1 | 2 |
| 6 | 90 15 05 042 00 90 | cartridge | 1 | 2 |
| 7 | 90 11 06 215 00-00 | spout | 1 | 10 |
| 8 | 04 23 10 044 07 90 | fixing set | 1 | 2 |
| 9 | 04 30 04 100 00 90 | hose | 2 | 2 |
| 10 | 10 125 970-00 | Basin Waste with push fastening 1 1/4" - Chrome | 1 | 2 |